

May 30, 2018

## ADDENDUM 2

Project: Vestibule / Gym Connector Reconstruction, East Windsor High School  
76 South Main Street, East Windsor, CT

### GENERAL

1. The General Contractor is required to provide jobsite safety and work area protection, as noted in the Contract Documents. The Contractor shall coordinate work activities with the owner. Contractor shall ensure the existing entrances are secure and protected from the elements. Fencing in of the work area is not required. An adjacent lawn area is available for staging, if required. Contractor shall repair and re-seed any damaged lawn areas.
2. The following companies attended the May 25, 2018 Pre-bid walkthrough: CT Carpentry Corp, Diversity Construction, Priority Construction, Witham Construction and Silktown Roofing.

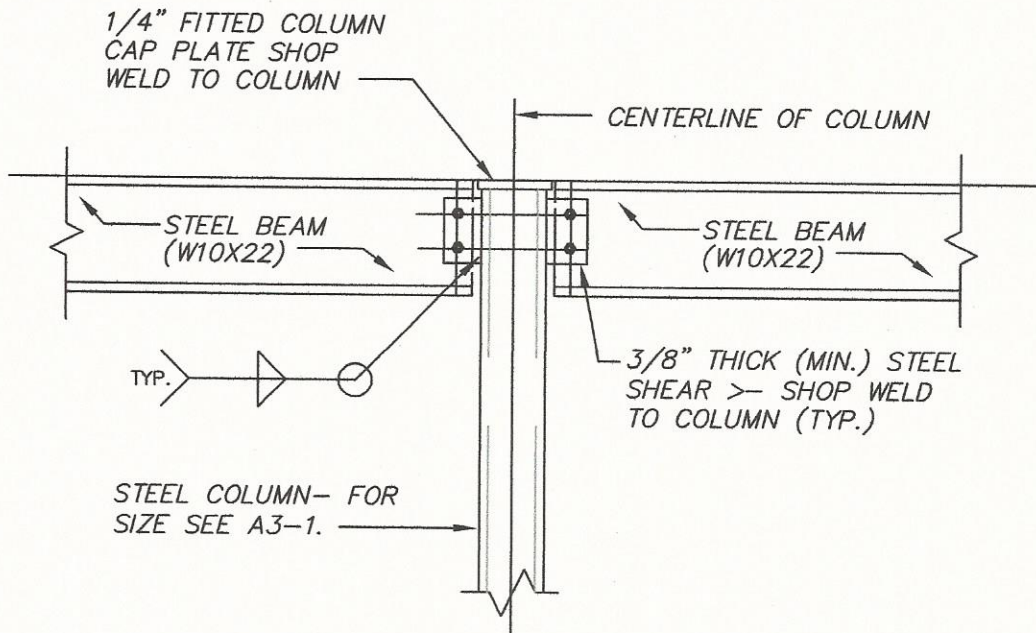
### CLARIFICATIONS:

1. The waterproofing and insulation noted on 1 / A3-1 shall be continuous for the full length of the existing foundation, as will the cutting and patching of bituminous pavement.
2. The tile group noted on 2 / A1-2 shall be "sanded".
3. The light fixture noted on A1-1 shall be Model "Continua - CTA" with 3500K, White finish. For pricing and additional information relative to the lighting specified for this project, you may contact Pascal Marzella with Reflex Lighting.  
[pmarzella@reflexlighting.com](mailto:pmarzella@reflexlighting.com).

CHANGES TO DRAWINGS:

1. A3-1: See attached sketch SKA-1, for additional information relative to the steel framing system.
2. A2-1: Door Schedule; Door number 2 shall include a new electric strike, to be compatible with Owner's existing door hardware and access system.

End of Addendum 2



# TYPICAL BEAM TO TUBE COLUMN CONNECTION

NOT TO SCALE

CONTRACTOR SHALL PROVIDE COMPLETE SET OF SHOP DRAWINGS  
FOR REVIEW, PRIOR TO FABRICATION.

<p><b>dewright design LLC</b> ARCHITECTURE   INTERIOR DESIGN</p> <p>127 Park Road West Hartford, CT 06119 860.216.3050   dewrightdesign@comcast.net</p>	<p>Vestibule / Connector Reconstruction EAST WINDSOR HIGH SCHOOL 76 SOUTH MAIN STREET EAST WINDSOR, CT</p>	<p>DATE: 05   30   18 SCALE: none PROJECT No: 18-07</p>	<p>DRAWING NUMBER: <b>SKA-1</b></p>
<p><b>STEEL DETAIL</b></p>		<p><b>PERRONE &amp; ZAJDA ENGINEERS, LLC</b> 630 MAIN STREET, SUITE 2B, CROMWELL, CT 06416 PHONE (860) 398-9528</p>	